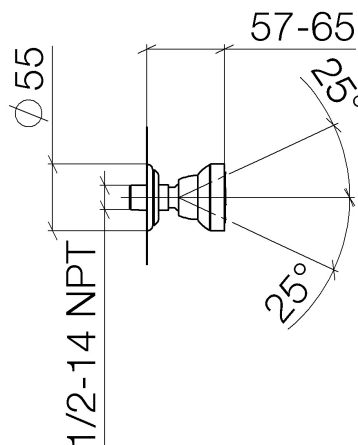




Product specifications

- Ø 2-1/8"
- swivels 25°
- Stream: Rain
- Flange diameter 2-1/8"
- 1/2" connection
- Water flow rate limited to max. 1.3 gpm



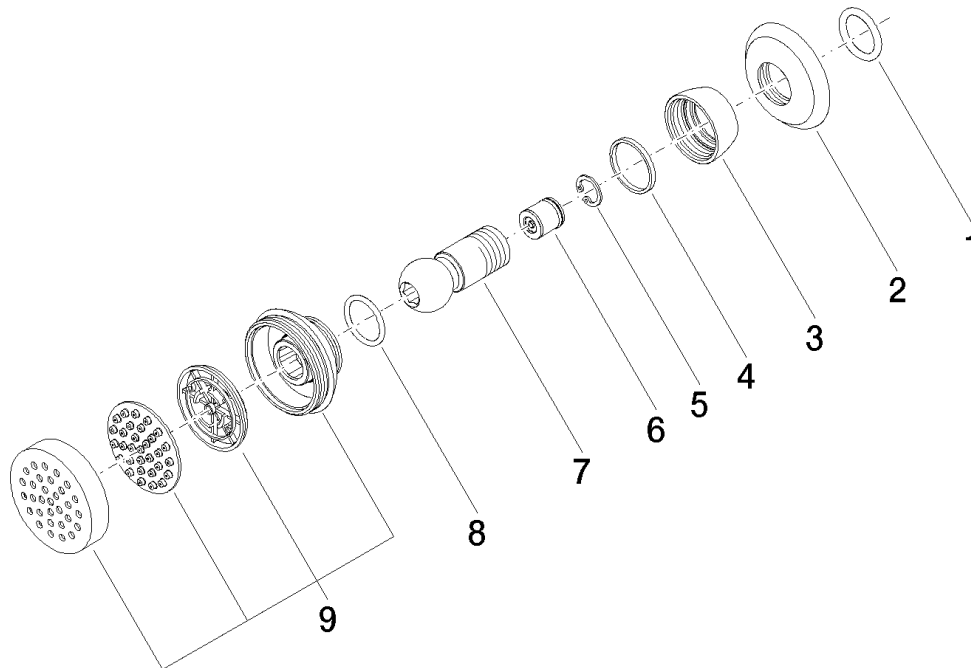
Surfaces

- | | |
|-----------------|-------------|
| • chrome | 28518360-00 |
| • matt platinum | 28518360-06 |
| • platinum | 28518360-08 |
| • brass | 28518360-09 |

Accessories required

- Rough-in adapter; 35 080 970

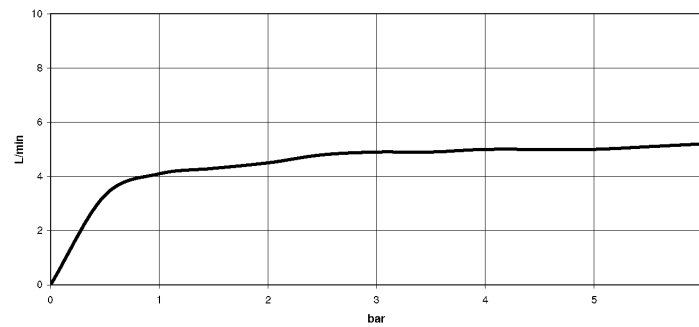
Exploded assembly drawing



**Order quantity**

No.	Article number	Name	Installation quantity
1	09141002690	seal	1
2	092735003ff	rosette	1
3	092330027ff	nut	1
4	09141501090	ring	1
5	09160101490	ring	1
6	09230104890	back-flow preventer	1
7	092140016ff	connection	1
8	09141001590	seal	1
9	90120502800ff	casing (completely)	1

Flow rate chart



Trajectory Diagram

