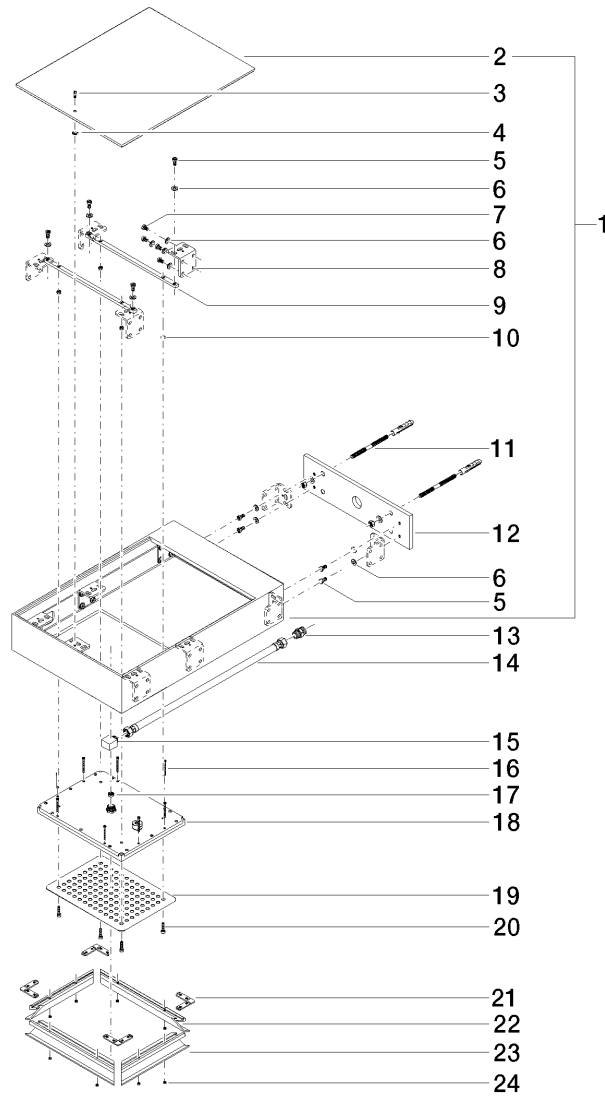


Exploded assembly drawing



Order quantity

No.	Article number	Name	Installation quantity
1	0417020250090	casing (completely)	1
2	09170202690	lid	1
3	09303014890	screw	1
4	09301112890	disc	1
5	09303006890	screw	8
6	09301104590	disc	32
7	09303015090	screw	24
8	09172008590	holder	6
9	09172009090	holder	2
10	09231002290	nut	4
11	0430350110090	fixing set	2
12	091102206ff	plate	1
13	09240314690	nipple	1
14	1250397090	hose	1
15	09111008590	connection	1
16	09303009290	screw	8
17	09230108190	flow reducer	1
18	0411022032090	shower	1
19	091102205ff	plate	1
20	09303009690	screw	4
21	09172009390	holder	4
22	092801021ff	holder	2
23	092801020ff	holder	2
24	09231003890	nut	8

